

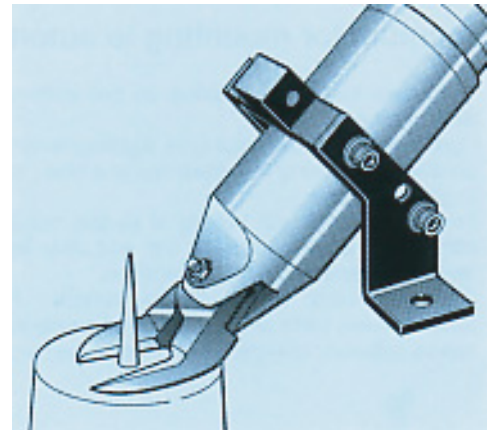
Capacity is listed as instant reference and depends on operation conditions.

AIR NIPPER ROUND-TYPE WITHOUT LEVER

NR Series

Mounting at any angle

- * Because the main body is round, the turning angle can be finely adjusted when mounted.
- * Ideal for cutting the sprue gate after mounted on the take-out arm or the holder on the chucking plate.
- * the main body end is 180°-turned. Further, because two suction (intake) ports are provided, the suction position can be optionally changed depending on the mounting plate.



GT-NR5

GT-NR20

GT-NR30



Blade is optional. Use three-port solenoid valve and air foot valve (three-way).

| EDP No. | Model No. | O.A.L mm | Frame Dia. mm | Weight g | Air consumption cm ³ /str. | Applied Pressure | | Working Air Pressure | | Capacity φ mm | | | | | |
|---------|-----------|----------|---------------|----------|---------------------------------------|------------------|-------|----------------------|---------|---------------|-------|------------|----------|---------------|-------------------------------|
| | | | | | | N | lbf | MPa | psi | Copper | Steel | Piano Wire | Plastics | Hard Plastics | Bare terminal |
| 360015 | GT-NR3 | 110 | 23 | 70 | 45 | 294 | 66 | 0.4-0.5 | 57 - 71 | 1.0 | 0.5 | 0.2 | 2.0 | | |
| 360016 | GT-NR5 | 94 | 30 | 110 | 64 | 392 | 88 | 0.4-0.5 | 57 - 71 | 1.0 | 0.5 | 0.3 | 2.0 | | |
| 360017 | GT-NR7 | 113 | 34 | 150 | 116 | 490 | 110 | 0.4-0.5 | 57 - 71 | 1.6 | 1.0 | 0.5 | 3.0 | 2.0 | |
| 360018 | GT-NR10L | 113 | 36 | 215 | 116 | 588 | 132 | 0.4-0.6 | 57 - 85 | 1.8 | 1.2 | | 4.0 | 2.6 | |
| 360019 | GT-NR20 | 129 | 45 | 280 | 230 | 1372 | 309 | 0.5-0.6 | 71 - 85 | 2.6 | 2.0 | 1.0 | 7.0 | 5.0 | |
| 360020 | GT-NR30 | 165 | 56 | 505 | 584 | 2744 | 617 | 0.5-0.6 | 71 - 85 | 3.3 | 2.8 | 1.2 | 10.0 | 6.5 | 1.25 / 2.0mm ² |
| 360024 | GT-NR50 | 222 | 75 | 1190 | 1,170 | 4704 | 1,058 | 0.5-0.6 | 71 - 85 | 5.5 | 4.5 | 1.6 | 12.0 | 6.5 | C Terminal 8.0mm ² |

* Hose coupling : PT1/4(Body PT1/ 8) * Air hose bore diameter : 5mm * Total length : Accessories not included. * Weight : Accessories not included.

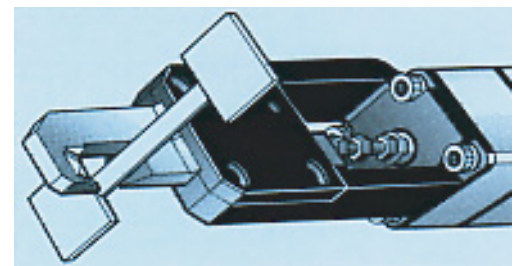
THRUST-CUT AIR NIPPER

PAT

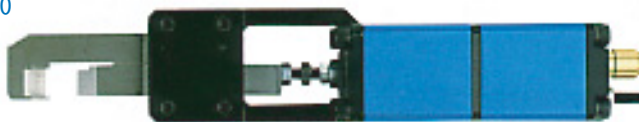
NK10

Ideal for cutting (fixed dimensions) of film gate/coil wire

- * Blade opening can be adjusted from 0 to 12mm
- * Main cylinder is beautiful blue alumite finished and excellent in wear resistance.
- * Bracket (optional) mounting helps for easy machine mounting.
- * Cutting edge(surface) is clean and not irregular, because the cutting can be made from thin side of film gate.



GT-NK10



Use three-port solenoid valve and air foot valve(three-way).

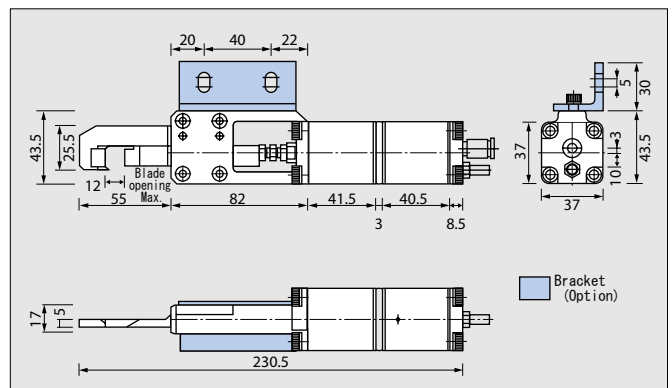
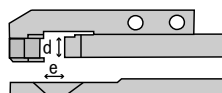
| EDP No. | Model No. | Cutting capacity ABS φ mm | Air consumption cm ³ / stroke | Working Air pressure MPa psi | Weight g |
|---------|-----------|---------------------------|--|------------------------------|----------|
| 360641 | GT-NK10 | 5 | 110 | 0.4-0.5 57 - 71 | 800 |

* Air hose size : I.D.*4 x O.D.*6 mm * Piston stroke ... Max.12mm

Blade (Attached to main body)

| EDP No. | Part No. | Material | Shape | weight g |
|---------|----------|---------------------|--------------------------|----------|
| 360521 | NK10AJ | Special alloy steel | For plastic (knife type) | 96 |

d: Cutting blade effective L. 10.3mm
e: Blade opening Max. 12mm



CAUTION ! Shut off the air supply before blade mount/dismount.