

# AIR NIPPERS

Solution from Wider Selection

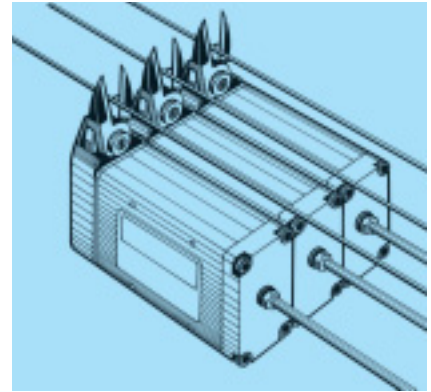
Capacity is listed as instant reference and depends on operation conditions.

## TYPE-F AIR NIPPER

NF Series

### Mounting to gate cutting device / automatic machine

- \* Light weight and Compact size, enabling easy setting at small space
- \* Three surfaces have screw holes provided, thereby allowing simple mounting to auto. Machine and others.



Blade is optional. Use three-port solenoid valve and air foot valve (three-way).

EDP No.	Model No.	Capacity $\phi$ mm			Air consumption cm <sup>3</sup> /stroke	Working Air Pressure		Pressure		Weight g
		ABS resin	Copper Wire	Steel		MPa	psi	N	lbf	
360606	GT-NF05	3.0	1.6	1.0	43	0.4~0.5	57-71	343	77	101
360607	GT-NF10	3.5	1.7	1.1	63	0.4~0.5	57-71	490	110	143
360608	GT-NF15	4.0	1.8	1.2	128	0.4~0.5	57-71	784	176	219

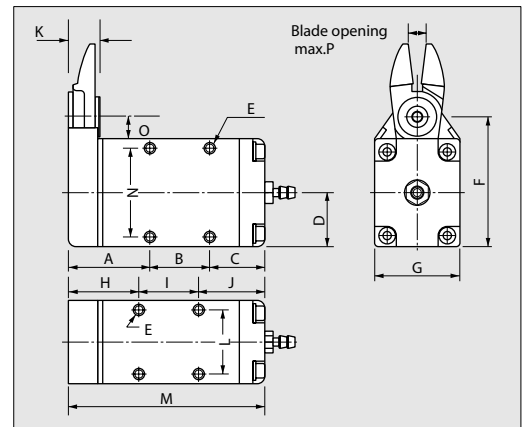
\* Air hose I.D. ... \*3.6mm \* Working air pressure : 4~5kgf/cm<sup>2</sup>(57-71psi)

For mounting of exclusive / automatic machines, check the product dimensions.

Model No.	A	B	C	D	E	F	G	H	I	J	K	L	M	N	O	P
GT-NF05	25.9	17	17	15.5	M3	39.5	23	21.9	17	21	8.6	18	59.9	26	8.5	4
GT-NF10	27.1	20	18	18	M3.5	43.5	28	23.1	20	22	8.8	22	65.1	30	7.6	6
GT-NF15	29	25	19	20.5	M4	48.5	33	25	25	23	10.2	26	73	34	7.5	8

Blade opening max. P is the dimension adjusted for standard blade(AJ type).

Mounting screw for NF10(M3.5)is regarded as spare part.



## DOUBLE ACTION AIR NIPPER / AIR SCISSORS PATENTED

NW/HW Series

- \* Optimum for mounting to automatic machine
- \* No blade return-spring required. Continuous working is not interrupted by spring replacement.
- \* Free Changeable shot speed

Consult for the details.  
Upon your special order

### GT-NWR20

Double action air nipper  
(Round type, w/o lever)



### GT-HWR1

Double action air scissors  
(Round type, w/o lever)



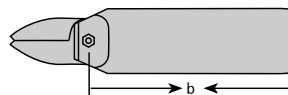
### GT-NWS20

Double action air nipper  
(Square type)



### GT-HWS1

Double action air scissors  
(Square type)



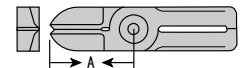
Use four-port solenoid valve and air foot valve (4-way).

EDP No.	Model No.	Cutting capacity (mm)			Air consumption cm <sup>3</sup> /str.	Working air pressure		Pressure		b mm	Frame dia. mm	Body Weight g
		Cooper	Steel	ABS plastic		MPa	psi	N	lbf			
<b>DOUBLE ACTION AIR NIPPER (ROUND TYPE WITHOUT LEVER)</b>												
360710	GT-NWR10	1.8	1.2	4.0	116	0.4-0.5	57-71	588	132	146	36	280
360711	GT-NWR20	2.6	2.0	6.5	230	0.5-0.6	71-85	1372	309	165	45	523
360712	GT-NWR30	3.3	2.8	9.5	584	0.5-0.6	71-85	2744	617	216	56	980
<b>DOUBLE ACTION AIR NIPPER (SQUARE TYPE)</b>												
360702	GT-NWS1	1.0	0.5	2.0	45	0.4-0.5	57-71	294	66	95	23 x 20	116
360706	GT-NWS10	1.8	1.2	4.0	116	0.4-0.5	57-71	588	132	146	36	356
360707	GT-NWS20	2.6	2.0	6.5	230	0.5-0.6	71-85	1372	309	165	45	610
360708	GT-NWS30	3.3	2.8	6.5	584	0.5-0.6	71-85	2744	617	216	56	1,150
<b>DOUBLE ACTION AIR SCISSORS(ROUND TYPE WITH OUT LEVER)</b>												
360701	GT-HWR1	1.0	0.5		45	0.4-0.5	57-71	294	66	95	20	84
360714	GT-HWR10	1.8	1.2		116	0.4-0.5	57-71	588	162	146	36	295
<b>DOUBLE ACTION AIR SCISSORS (SQUARE TYPE)</b>												
360700	GT-HWS1	1.0	0.5		45	0.4-0.5	57-71	294	66	95	23 x 20	116
360713	GT-HWS10	1.8	1.2		116	0.4-0.5	57-71	588	132	146	36	356

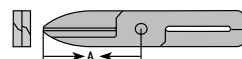
CAUTION ! Shut off the air supply before blade mount/dismount.

Blade (Attached to main body)

Select one blade applicable.



EDP No.	Part No.	Blade opening Max mm	Cutting blade effective L. mm	A mm
<b>For GT-NWS1</b>				
360450	NW1BJ	3.5	10.5	20
<b>For GT-NWR10/NWS10</b>				
360454	NW10AJ	5.0	14	30
360453	NW10BJ	5.0	14	30
<b>For GT-NWR20/NWS20</b>				
360457	NW20AJ	8.0	21.5	40
360459	NW20BJ	8.0	21.5	40
360458	NW20BA	8.0	21.5	35
<b>For GT-NWR30/NWS30</b>				
360461	NW30AJ	11.0	29.5	55
360460	NW30BJ	11.0	29.5	55



For GT-HWR1/HWS1

360452	HW1J	3.0	17	25
--------	------	-----	----	----

For GT-HWS10

360462	HW10J	5.0	28	40
--------	-------	-----	----	----